

Rack Mounting Guide



Table of Contents

Overview

Front Panel LED Indicators

Rail Installation

- Rail Package

- Installing inner slides

- Installing outer slides

- Installing slide assemblies to the Rack

Chassis installation

Removing Chassis from the rack

Overview

This document provides information about rail installation and chassis installation.

Front Panel LED Indicators

The following figure illustrates front panel LED indicators



Rail Installation

Rail Package

The rail package includes the following:

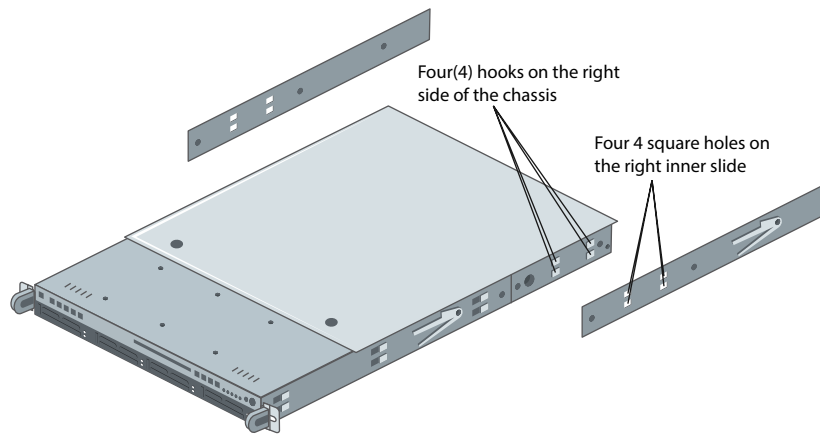
- A pair of inner slides to be installed on the chassis
- A pair of outer slides to be installed in the rack
- Two pairs of short brackets to be used on the front side of the outer slides
- A pair of long brackets to be used on the rear side of the outer slides

Note: These rails fit a rack between 26" and 33.5" deep.

Installing inner slides

Perform the following steps to install the inner slides:

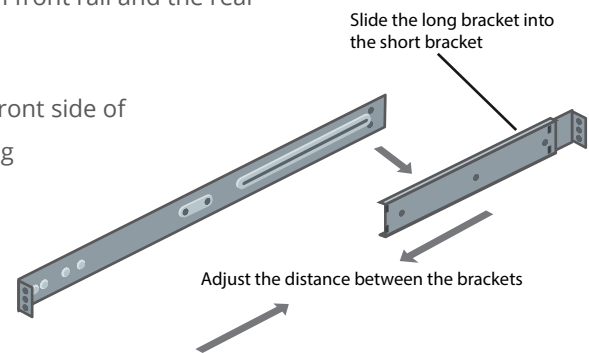
1. Locate the right inner slide (the slide that will be used on the right side of chassis when facing the front panel of the chassis).
2. Align the four square holes on the right inner slide against the hooks on the right side of the chassis as shown below.
3. Attach the slide to the chassis with two M4 flat head screws and repeat the steps from 1 to 3 to install the left inner slide to the left side of the chassis.



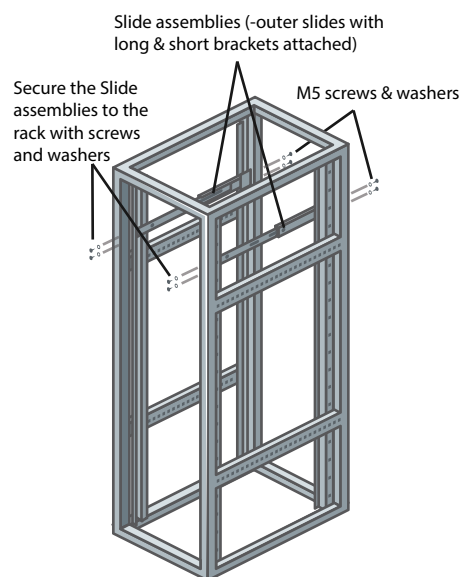
Installing outer slides

Perform the following steps to install the outer slides:

1. Measure the distance between front rail and the rear rail of the rack
2. Attach a short bracket to the front side of the right outer slide, and a long bracket to the rear side of the right outer slide as shown below.



3. Adjust the short and long brackets to the proper distance so that the chassis can perfectly fit into the rack.
4. Attach the slides to the rack with M5 screws and washers. Repeat steps from 1 to 4 for the left outer slide.

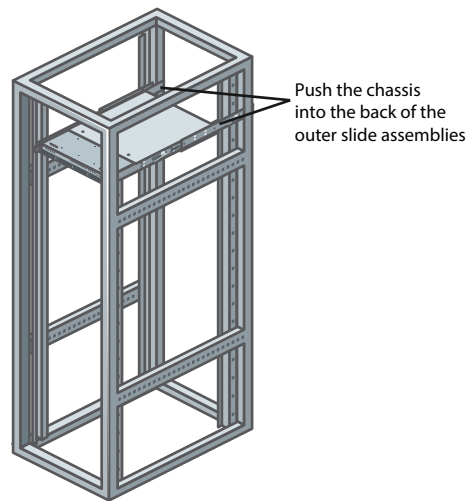
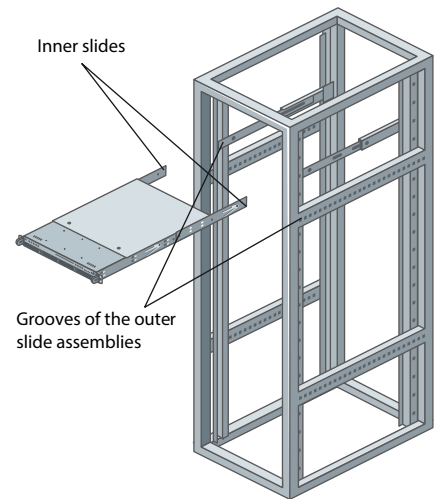


Note: Depending on your rack structure, short brackets might not be required to attach to the outer slide.

Chassis installation

Perform the following steps to install chassis:

1. Push the inner slides, which are attached to the chassis, into the grooves of the outer slide assemblies that are installed in the rack as shown below.



2. Push the chassis till the back of the outer slide assemblies as shown below.

Removing Chassis from the rack

Release the locking clips that are circled on the rails to remove the chassis from the rack, as shown in the figure below.

